

# In-Line Filter DWFF70

(8-03-070-100k, 8-03-070-040k, 8-03-070-010k, 8-03-070-005k)



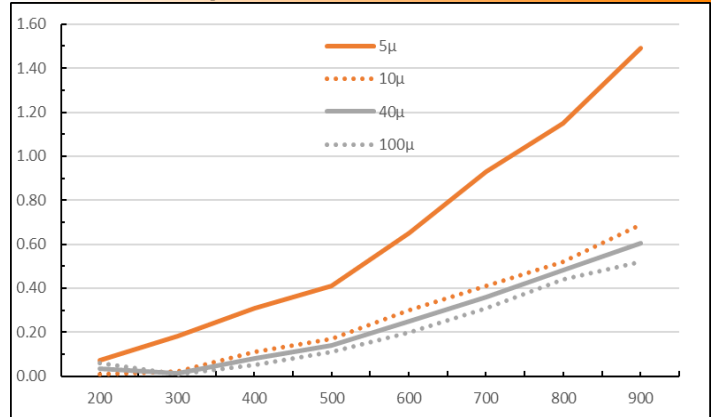
DW fuel filters are compatible with a wide range of fuels including pump gas, race gas, MTBE, ethanol, methanol, and diesel. DW recommends a maximum service interval of 12 months or 12,000 miles. Shorter service intervals are recommended with harsher conditions and corrosive fuels.

- Stainless Steel Mesh 5, 10, 40 or 100 Micron
- -10AN ORB Inlet/Outlet
- 70mm Length
- Universal Fitment
- Higher Pleet Count For Improved Flow Rating
- Available with -6AN, -8AN, -10AN, 5/16" Barb and 3/8" Barb Fittings.

## Specifications

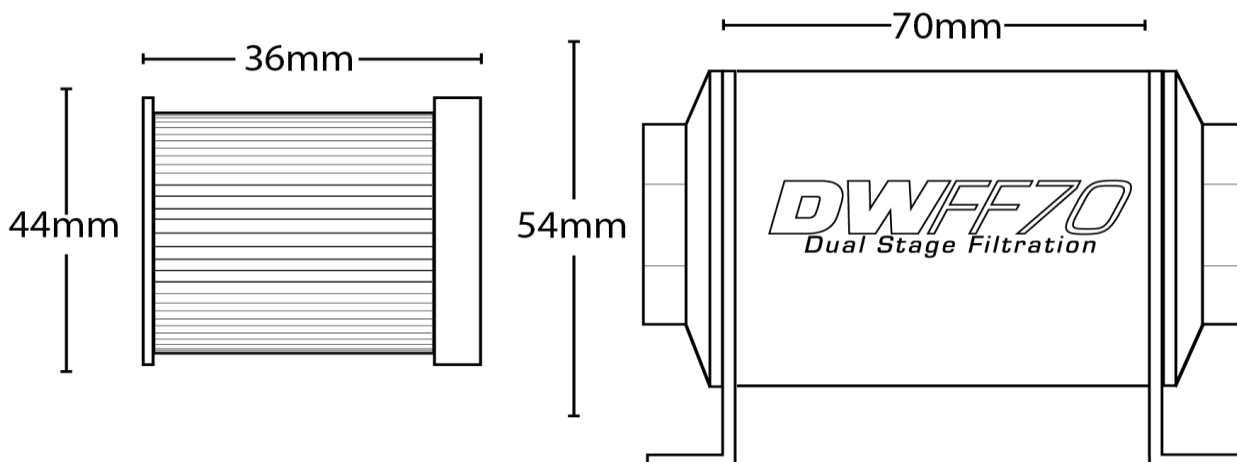
<b>Weight</b>	8.1 oz (230 grams)
<b>External Materials</b>	Anodized T6061 Aluminum
<b>Inlet Fitting</b>	-10 AN ORB
<b>Outlet Fitting</b>	-10 AN ORB
<b>Sealing</b>	Viton O-rings
<b>Mechanical Filtration</b>	304 Stainless Steel Mesh
<b>Magnetic Filtration</b>	35mm Neodymium Ring
<b>Flow Rating (5<math>\mu</math>)</b>	800 LPH
<b>Flow Rating (10<math>\mu</math>)</b>	1000+ LPH
<b>Flow Rating (40<math>\mu</math>)</b>	1000+ LPH
<b>Flow Rating (100<math>\mu</math>)</b>	1000+ LPH
<b>Avg Surface Area</b>	30 sq in

## Pressure Drop



LPH	200	300	400	500	600	700	800	900
5 $\mu$	0.07	0.18	0.31	0.41	0.65	0.93	1.15	1.49
10 $\mu$	0.01	0.02	0.11	0.17	0.3	0.41	0.52	0.69
40 $\mu$	0.03	0.02	0.08	0.14	0.25	0.36	0.48	0.61
100 $\mu$	0.06	0.01	0.05	0.11	0.2	0.31	0.44	0.52

## Dimensions



THIS PRODUCT MAY BE USED SOLELY ON VEHICLES USED IN SANCTIONED COMPETITION WHICH MAY NEVER BE USED UPON A PUBLIC ROAD OR HIGHWAY, UNLESS PERMITTED BY SPECIFIC REGULATORY EXEMPTION