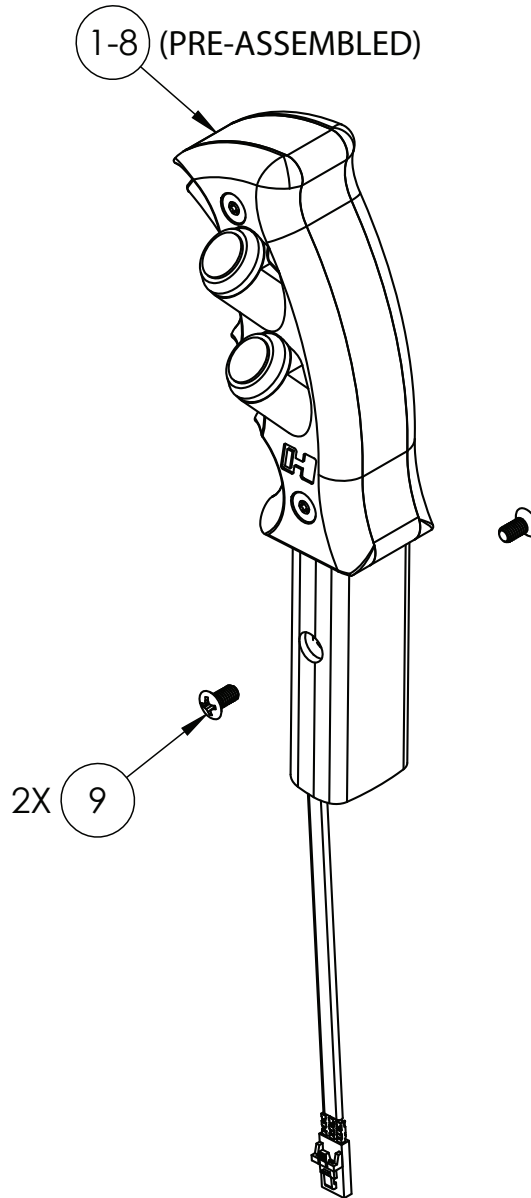




Installation Instructions
5380440
 2013-14 FORD MUSTANG AT
 ALL MODELS



ITM #	PART #	DESCRIPTION	QTY.
1	2380440	Handle Body	1
2	2030432	Lower Trigger	1
3	3350440	Upper Trigger	1
4	1301004	Inner Cover	1
5	4002015	Grip Plate Assembly	1

ITM #	PART #	DESCRIPTION	QTY.
6	4048655	Right Side Plate	1
7	97003153	8-32 x ¼L Screw	3
8	97003154	8-32 x ½L Screw	2
9	97003195	M4 - 0.7 x 8MM Screw	2

OVERVIEW:



1. Please take a moment to read and understand these instructions before starting install.

NOTE: Please inventory all parts before starting the installation process and call our tech line to report any missing parts. This will help avoid potentially stranding your vehicle until any missing replacement parts arrive.

WARNING:

For maximum safety, perform this installation on a clean, level surface with engine turned off.

CAUTION:

To avoid bodily injury or vehicle damage, chock wheels and do not attempt installation until you are confident your vehicle will not move.

REMOVE STOCK COMPONENTS:



2. Shift into "Neutral" then carefully remove shifter trim as shown.



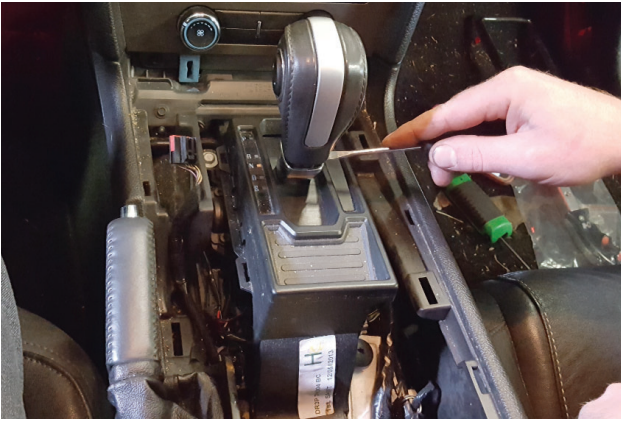
3. Lift console from rear to disconnect it from tabs securing it down.



4. Unplug connectors and detach connector from bottom of console.



5. Unplug connector at front of console then remove upper console.



6. Separate bottom of shifter knob being careful not to scratch it.



9. Remove shifter handle from stem then remove shifter base as shown.

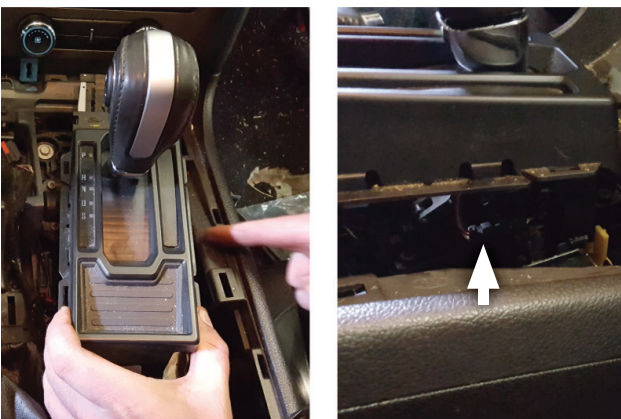
INSTALL HURST SHIFTER:



7. Remove (x2) screws securing both sides of shifter knob to stem.



10. Replace shifter base onto stem, then install assembled **shifter (1-8)**, making sure wire fits into machined groove on front of handle bore.



8. Disconnect (x4) tabs around base of shifter then unplug shifter wire underneath it.



11. Plug shifter in below, just as factory shifter was plugged in (step 8).



12. Fit top of shifter down into place, securing (x4) tabs around its side (disconnected step 8).



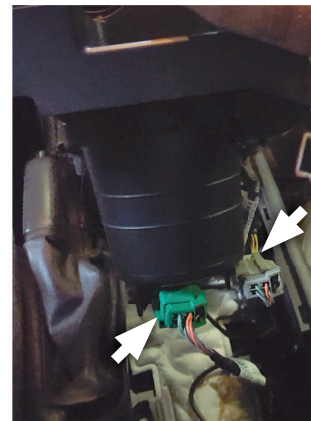
15. Press console down into place then replace shifter trim (removed step 2).



13. Install (x2) screws (9) to secure shifter in place.



Congratulations, the installation of your Hurst Shifter is now complete!



14. Re-connect and attach all connectors.

