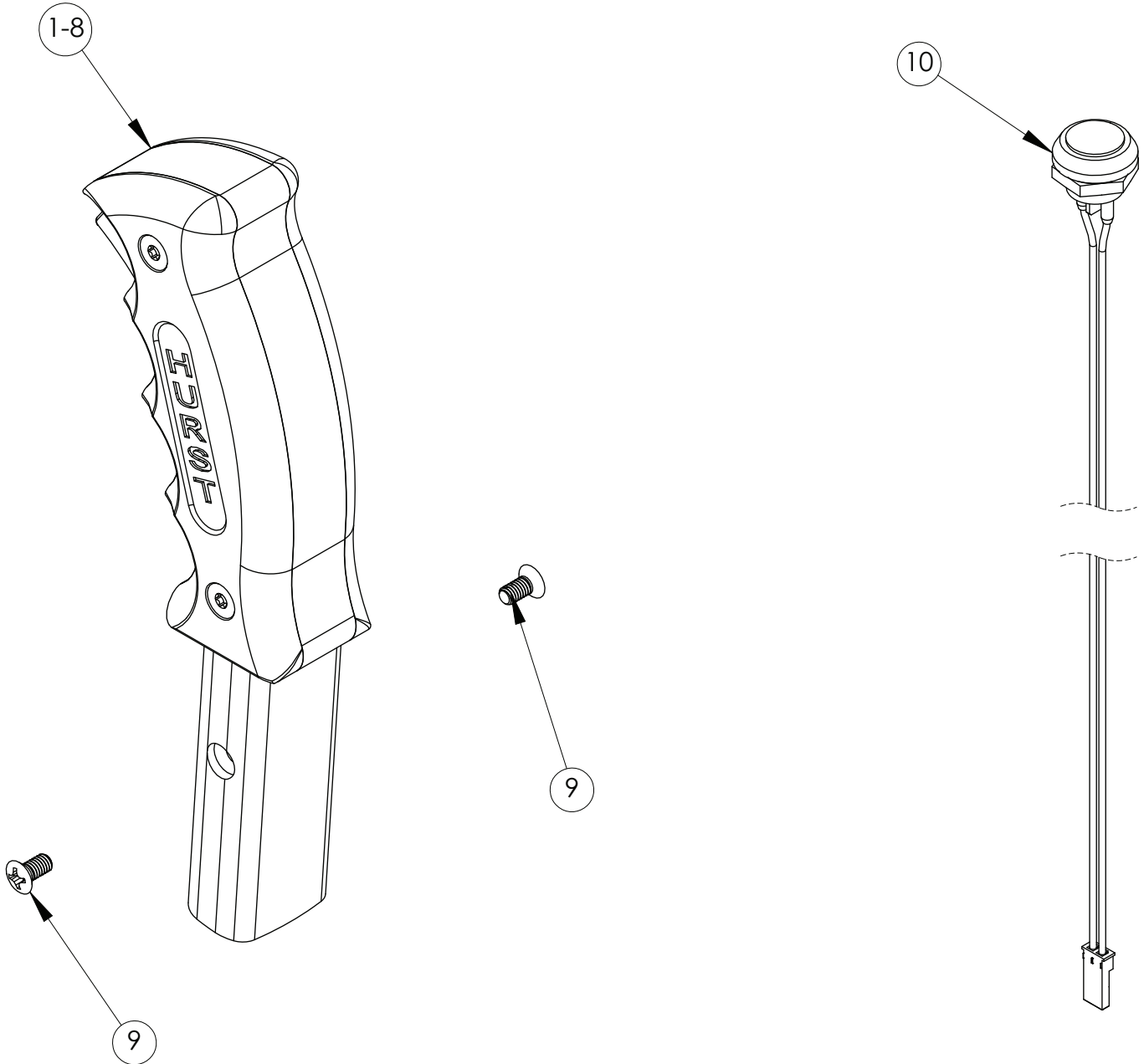




Installation Instructions
5380443
 2010-12 FORD MUSTANG
 ALL MODELS



ITM #	PART #	DESCRIPTION	QTY.
1	2380440	Shifter Handle Body	1
2	2030432	Lower Trigger	1
3	3350440	Upper Trigger	1
4	1301004	Inner Cover	1
5	4048654	Left Side Plate	1

ITM #	PART #	DESCRIPTION	QTY.
6	4048655	Right Side Plate	1
7	97003153	8-32 x ¼L Screw	3
8	97003154	8-32 x ½L Screw	2
9	97003195	M4 - 0.7 x 8MM Phillips Screw	2
10	2480455	Push Button Switch 12mm	1

OVERVIEW:



1. Please take a moment to read and understand these instructions before installing your purchased performance kit.

NOTE: Please inventory all parts before starting the installation process and call our tech line to report any missing parts. This will help avoid potentially stranding your vehicle until any missing replacement parts arrive.

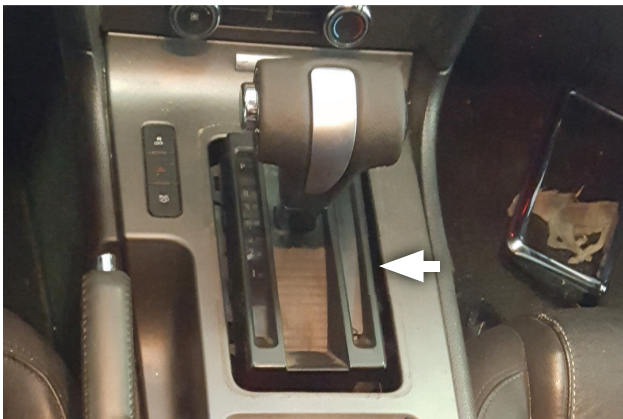
WARNING:

For maximum safety, perform this installation on a clean, level surface with engine turned off.

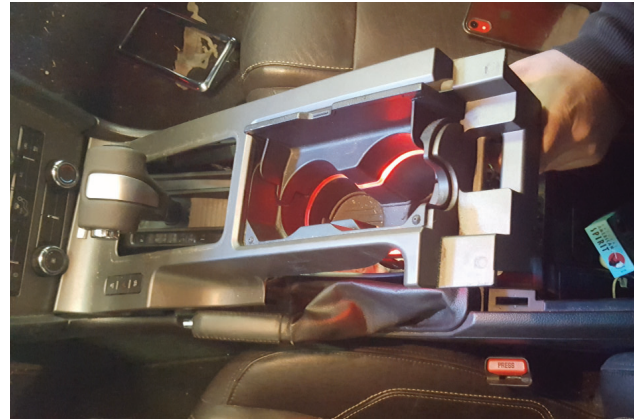
CAUTION:

To avoid bodily injury or vehicle damage, chock wheels and do not attempt installation until you are confident your vehicle will not move.

REMOVE STOCK COMPONENTS:



2. Shift into "Neutral" then carefully remove shifter trim.



3. Lift console from rear to disconnect it from tabs securing it down.



4. Unplug connectors and detach connector from bottom of console.



5. Unplug connector at front of console then remove upper console.



6. Separate bottom of shifter knob being careful not to scratch it. Remove (x2) screws securing both sides of shifter knob to stem.



7. Disconnect (x4) tabs around base of shifter then unplug shifter wire underneath.



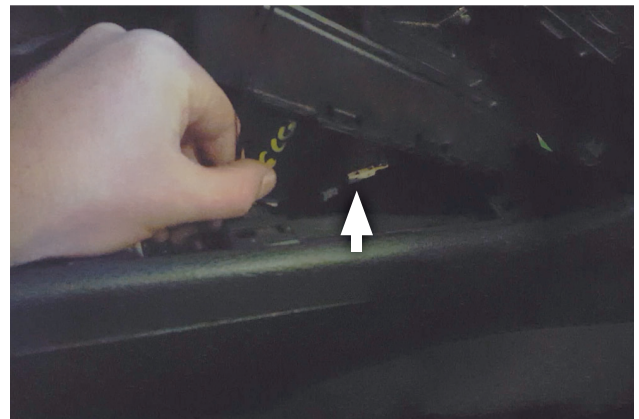
8. Remove shifter handle from stem then remove shifter plate.

INSTALL HURST SHIFTER:

NOTE: If you choose to install **push button switch (10)** (used for O/D on/off), follow steps 9-10, otherwise, skip to step 11.



9. Choose install location (somewhere that wiring reaches shifter) then drill a $1\frac{5}{32}$ " hole. Remove nut and lock washer from assembly, then pull switch wiring through hole until button is flush with console wall. Use nut and lock washer to secure button in place.



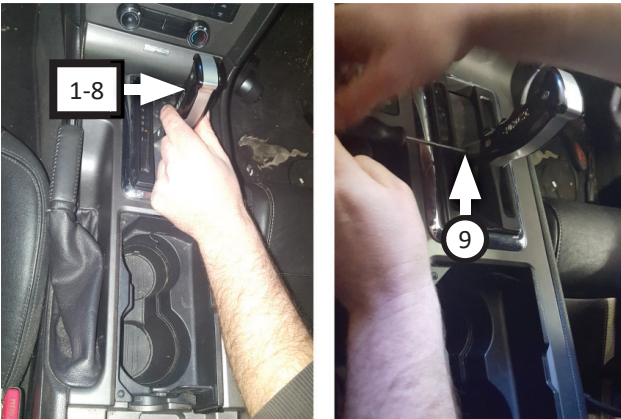
10. Pull shifter base up then plug push button switch wiring in on passenger side. Re-install top portion of shifter to base.



11. Replug connectors (unplugged step 4) into bottom of console, then press console down back into place.



Congratulations, the installation of your **Hurst Shifter** is now complete!



12. Install assembled **shifter (1-8)** and secure it in place with (x2) **screws (9)** as shown.



13. Press console down into place then replace shifter trim (removed step 2).

